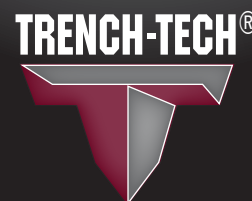


TT-2350

ROCK TRENCHER



TRENCH-TECH[®]
International, Inc.



ENGINE SPECIFICATIONS

Caterpillar® C9 Electronic diesel engine providing 350 hp (261 kw) at a working speed of 2100 rpm.

DIGGING TRANSMISSION

Funk® DF250 multi-speed transmission with integral torque converter and direct pump mounts.

DIGGING CAPACITY OPTIONS

Boom Options: 4 - 10 ft. (1.22 - 3.05 m) depths provided by sectionalized single or double chain boom systems.

Cutting Width Options: Single chain, 12 - 18 inches (0.30 - 0.46 m) double chain 20 - 36 inches (0.51 - 0.91 m) with 4501/4502 type chains.

DIGGING CHAIN DRIVE

Mechanical drive with four different chain speeds providing high torque and low speeds, allowing for maximum tooth penetration and extended tooth life.

CONVEYOR DISCHARGE SYSTEM

13 ft. (3.96 m) Arc-type conveyor with variable discharge speeds. Shiftable in either direction for precise spoil placement, using three-ply heavy-duty belting material and double row cleats for maximum discharge efficiency.

DIGGING BOOM & TAILWHEEL

Heavy-duty weldment-sectionalized to provide for various boom option lengths. Trench-Tech® exclusive replaceable wear plates held in place by large Caterpillar® type cutting edge bolts with 42 inch (1.07 m) heavy-duty single or double tail wheel assembly.

CRAWLER TRACK SYSTEM

Caterpillar® type heavy-duty OEM 300 Series lubricated sealed track and roller system with 23.6 inch (0.60 m) grouser with mud relief holes .

OPERATOR CABIN & STATION

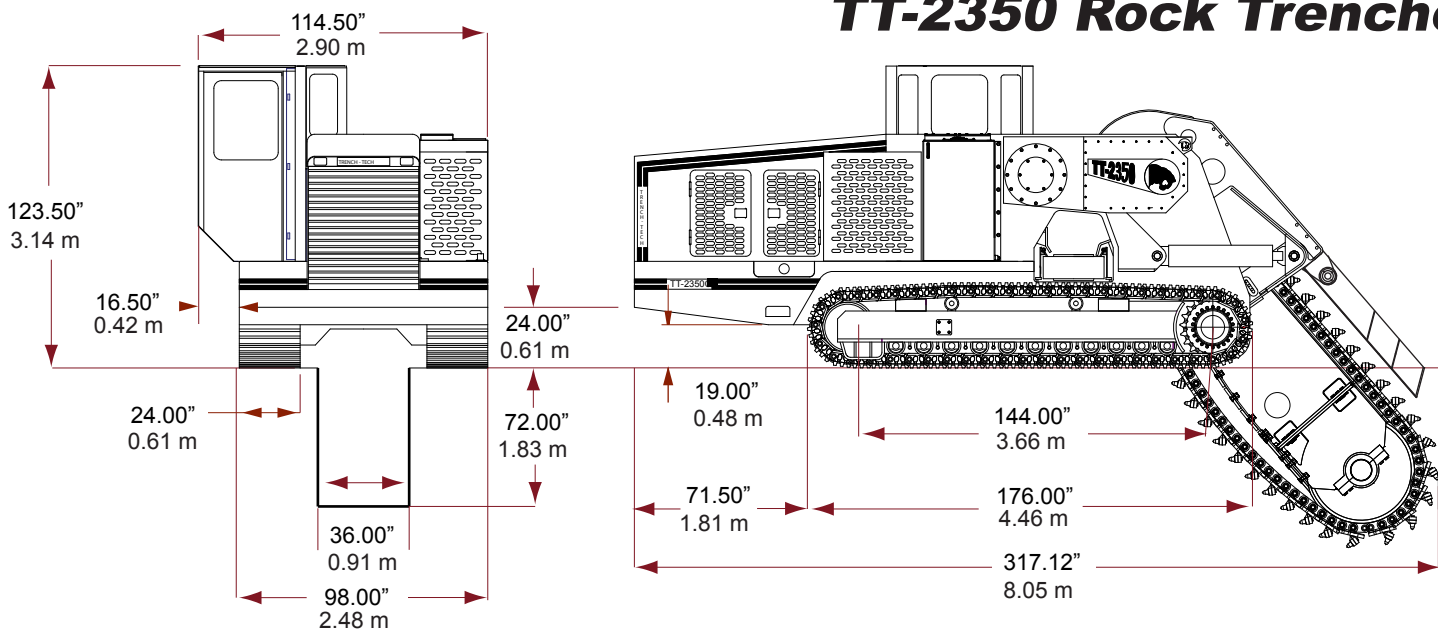
Fully enclosed with climate controls for heat/air conditioning. Pressurized system for a dust free environment. Elevates 36 inches (0.91 m) for better vision surrounding machine.

FUEL RESERVOIR CAPACITY

150 gallon (568 liter) Diesel fuel capacity.

APPROXIMATE WEIGHT

75,000 - 85,000 lbs
(34,019 - 38,555 kg)



HEADQUARTERS

P.O. Box 99
330 Benson Lane
Roanoke, Texas USA 76262
+1 817 491 0621 +1 817 491 0108 (fax)
sales@trenchtech.com

EUROPEAN OFFICE

Koningslaan 46-B
1075 AE Amsterdam,
Netherlands
+31 20 423 2444 +31 20 423 2445 (fax)
trenchtech@planet.nl

WWW.TRENCHTECH.COM

Specifications may change without notice.
© 2009 Trench-Tech International, Inc.

