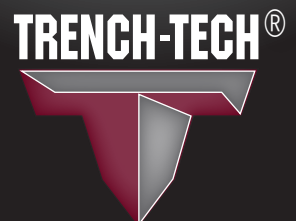


TT-2850

ROCK TRENCHER



TRENCH-TECH[®]
International, Inc.



ENGINE SPECIFICATIONS

Caterpillar® C27 Electronic diesel engine providing 875 hp (652 kw) at a working speed of 2100 rpm.

DIGGING TRANSMISSION

Allison® 8000 Series multi-speed transmission with integral torque converter.

DIGGING CAPACITY OPTIONS

Boom Options: 8 - 24 ft. (2.44 - 7.32 m) depth boom options.

Cutting Width Options: Double or triple chain options for 28 - 60 inches (0.71 - 1.52 m) with crawler track type digging chain.

DIGGING CHAIN DRIVE

Mechanical drive with four different chain speeds providing high torque and low speeds, allowing for maximum tooth penetration and extended tooth life.

CONVEYOR DISCHARGE SYSTEM

21 ft. (6.40 m) Arc-type conveyor with variable discharge speeds. Shiftable in either direction for precise spoil placement, using three-ply heavy-duty belting material and double row cleats for maximum discharge efficiency.

DIGGING BOOM & TAILWHEEL

Heavy-duty weldment-sectionalized to provide for various boom option lengths. Trench-Tech® exclusive replaceable wear plates held in place by large Caterpillar® type cutting edge bolts with 48 inch (1.22 m) heavy-duty single or double tail wheel assembly.

CRAWLER TRACK SYSTEM

Caterpillar® type heavy-duty OEM 245 Series sealed track and 350 roller system with 30 inch (0.76 m) grouser with mud relief holes .

OPERATOR CABIN & STATION

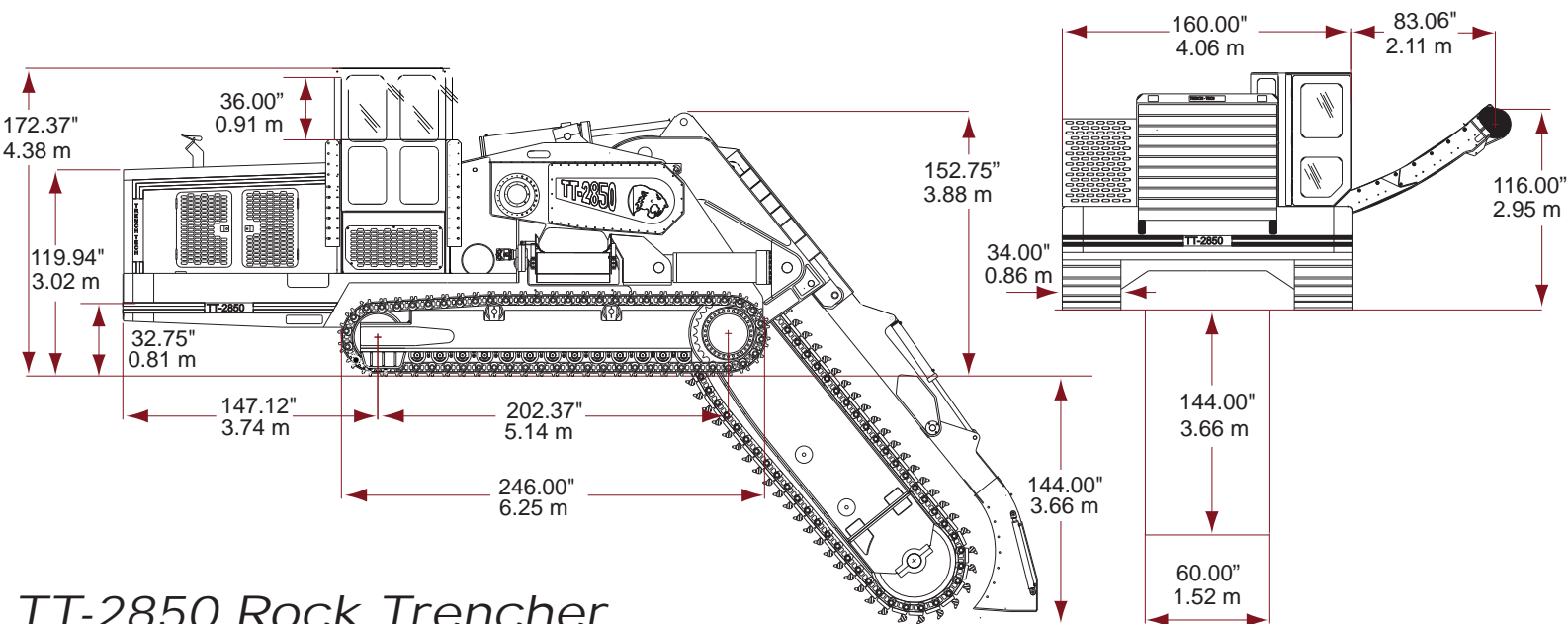
Fully enclosed with climate controls for heat/air conditioning. Pressurized system for a dust free environment. Elevates 36 inches (0.91 m) for better vision surrounding machine.

FUEL RESERVOIR CAPACITY

600 gallon (2,271 liter) Diesel fuel capacity.

APPROXIMATE WEIGHT

285,000 - 315,000 lbs
(129,274 - 142,882 kg)



TT-2850 Rock Trencher

HEADQUARTERS

P.O. Box 99
330 Benson Lane
Roanoke, Texas USA 76262
+1 817 491 0621 +1 817 491 0108 FAX
sales@trenchtech.com

EUROPEAN OFFICE

Koningslaan 46-B
1075 AE Amsterdam,
Netherlands
+31 20 423 2444 +31 20 423 2445 FAX
trenchtech@planet.nl

WWW.TRENCHTECH.COM

Specifications may change without notice.
© 2008 Trench-Tech International, Inc.

